

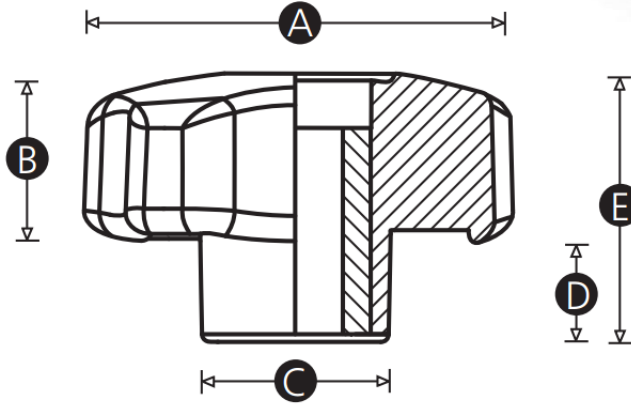
G02TPK Through Thread Lobe Knob

Features

- Superstrong yet lightweight, can withstand arduous industrial use

Material

- Body: High impact resistant thermoplastic, matt black finish
- Insert: Brass, zinc plated steel or stainless steel



Part No.	A	B	C	D	E	Thread Size	Material	Insert Material
G02TPK-10822X	28	16	14	9	25	M5	Nylon	Brass
G02TPK-10824P						M6	Nylon	Brass
G02TPK-14306R						M6	Polypropylene	Zinc plated steel
G02TPK-14326Z						M6	Polypropylene	Stainless steel
G02TPK-10833X	40	17	18	12	29	M6	Nylon	Brass
G02TPK-10835T						M8	Nylon	Brass
G02TPK-14307Y						M8	Polypropylene	Zinc plated steel
G02TPK-14327V						M8	Polypropylene	Stainless steel
G02TPK-10846P	50	19	21	12	31	M8	Nylon	Brass
G02TPK-14328R						M8	Polypropylene	Stainless steel
G02TPK-11187P						M10	Nylon	Brass
G02TPK-14309Q						M10	Polypropylene	Zinc plated steel
G02TPK-14329Y	60	23	12	13	34	M10	Polypropylene	Stainless steel
G02TPK-10857P						M10	Nylon	Brass
G02TPK-11191V						M12	Nylon	Brass
G02TPK-14310X						M12	Polypropylene	Zinc plated steel
G02TPK-14330U						M12	Polypropylene	Stainless steel